



**Installation Instructions**

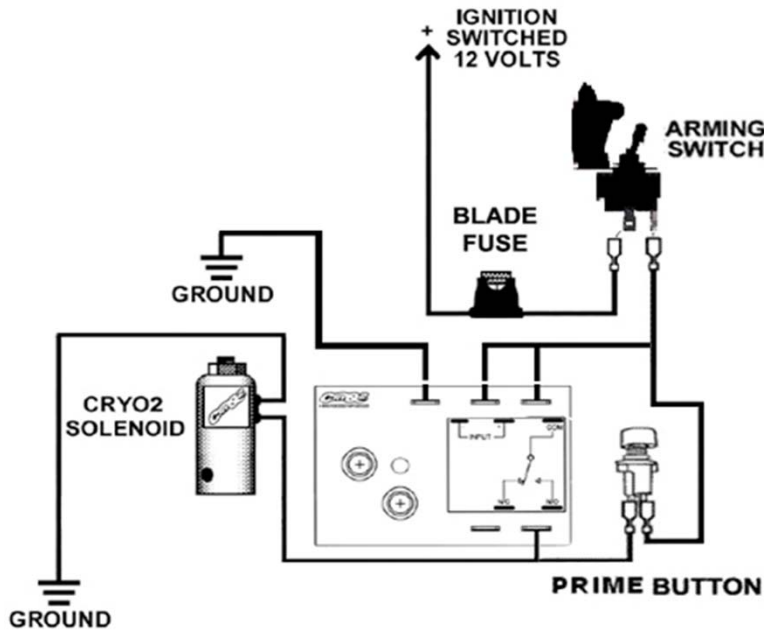
## Cryo<sup>2</sup>™ Adjustable Timer Switch

PART NO. 080203

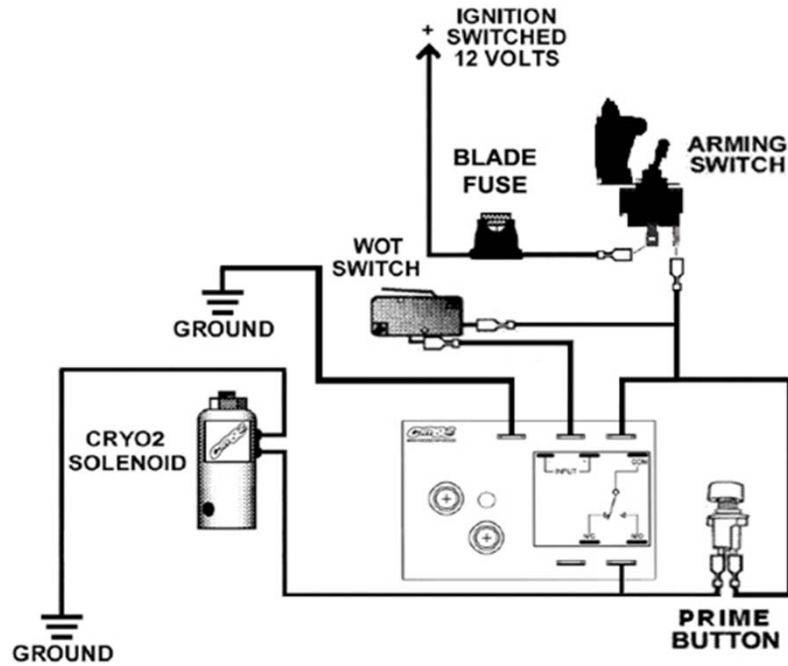
KIT CHECKLIST	
1	Adjustable Timer Switch
4	Female Connectors + 1 extra
1	10 ft. Red Wire
1	10 ft. Black Wire

### DIRECTIONS

- 1 - Disconnect the battery cables before working with the electrical system of the vehicle.
- 2 - Decide where to mount the switch (firewall, under dash, glove box, console, etc).
- 3 - Attach switch using double-sided tape or mounting screws (not incl.) to secure the unit.
- 4 - Wire according to one diagram below. "A" without WOT switch. "B" utilizes WOT switch.
- 5 - Reconnect the battery.
- 6 - Test without wasting gas by leaving the tank valve closed. Turn on the activation switch while listening for the clicks of the Adjustable Timer Switch and the solenoid.



**(A)** Arming Switch Activation  
-no WOT Switch



(B) WOT Switch Activation  
-both WOT and Arming Switch